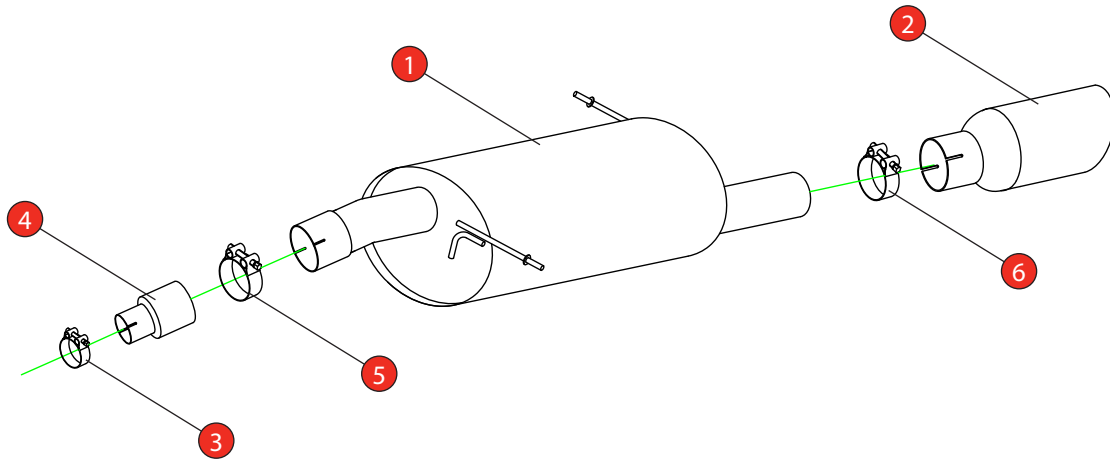


<b>Car</b>	Ford Fiesta ST-Line	<b>Part No.</b>	SFDB088
<b>Year</b>	2017-Current	<b>Fit Kits</b>	308FK
<b>Notes</b>	Where not supplied use original fittings	<b>Features</b>	Pipe Diameter:- 63.5mm

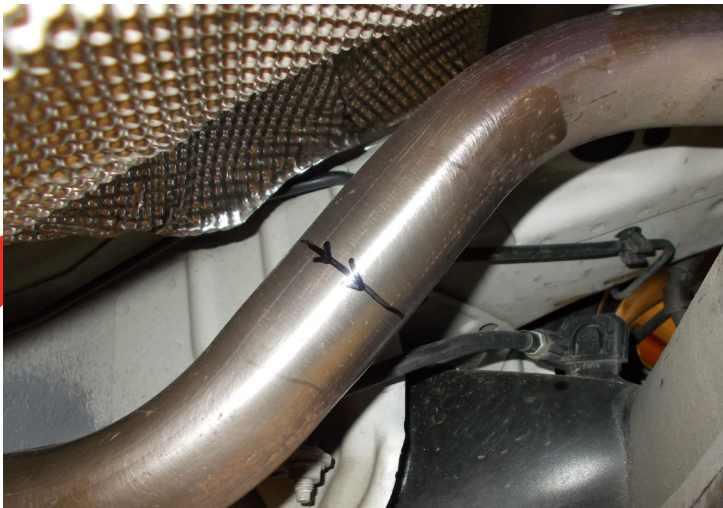
Estimated Fitting Time: 60 Minutes



NO.	PART NO.	DESCRIPTION	QTY
1	1290FD	Rear Silencer	1
2	Z023.10062	Polished Daytona Trim	1
<b>Fit Kit</b>			
3	Z016.10003	47-51mm Clamp	1
4	AD77	Adaptor	1
5	Z016.10070	66mm H/D Clamp	1
6	Z016.10064	63-68mm Clamp	1

E-MARK	N/A
DATE	06/06/18
ISSUE	00
AUTHORISED	M.Ydlibi

**NOTE:** ENSURE SCORPION SYSTEM IS CLEAR OF MOVING PARTS AND ALL ORIGINAL FUNCTIONS WORK CORRECTLY.



When fitting the rear silencer the original system requires cutting in a specific place. Cut the pipe directly between the two bends as marked in the picture.



STAY CONNECTED TO RED POWER.